

*Another addition to the expanding line of Webb products.*  
**NEW PRODUCT BULLETIN**

**PART NUMBER: 2023**

**HUB**

**DESCRIPTION: 10 Stud Hub  
(11.25 Bolt Circle)**

**AVAILABLE  
NOW**

**ESTIMATED WEIGHT: 45 Lbs.**

**APPLICATION INFORMATION  
TRAILER AXLE**

**FEATURES:**

- Designed for Pilot Mount Disc Wheels.
- Utilizes Two Piece Flange Nut System.
- All Assemblies are Furnished for Right Hand Threaded Flange Nuts and Studs.
- Design of Hub Eliminates Need for Inner Cap Nuts, Allowing for Easier Service Due to Fewer Attaching Parts.
- Designed for Outboard Mount Brake Drums.
- Various Drum/Disc Wheel Combinations Are Obtainable with Different Stud Lengths.  
(See Assembly Print on Reverse Side).

**WEBB AXLE GROUP NO. 2**

OUTER BEARING CUP HM212011  
 CONE HM212049  
 INNER BEARING CUP HM218210  
 CONE HM218248

DANA  
 EATON  
 ROCKWELL  
 STANDARD FORGE  
 KB

**AXLE MODELS**

D-22, K-22  
 J, JE, JH, 23L, 23R, HJ, HJE, 25R, HR25  
 RN, TKN, TN, TQ, RQ  
 A-22S  
 KBW, KBS

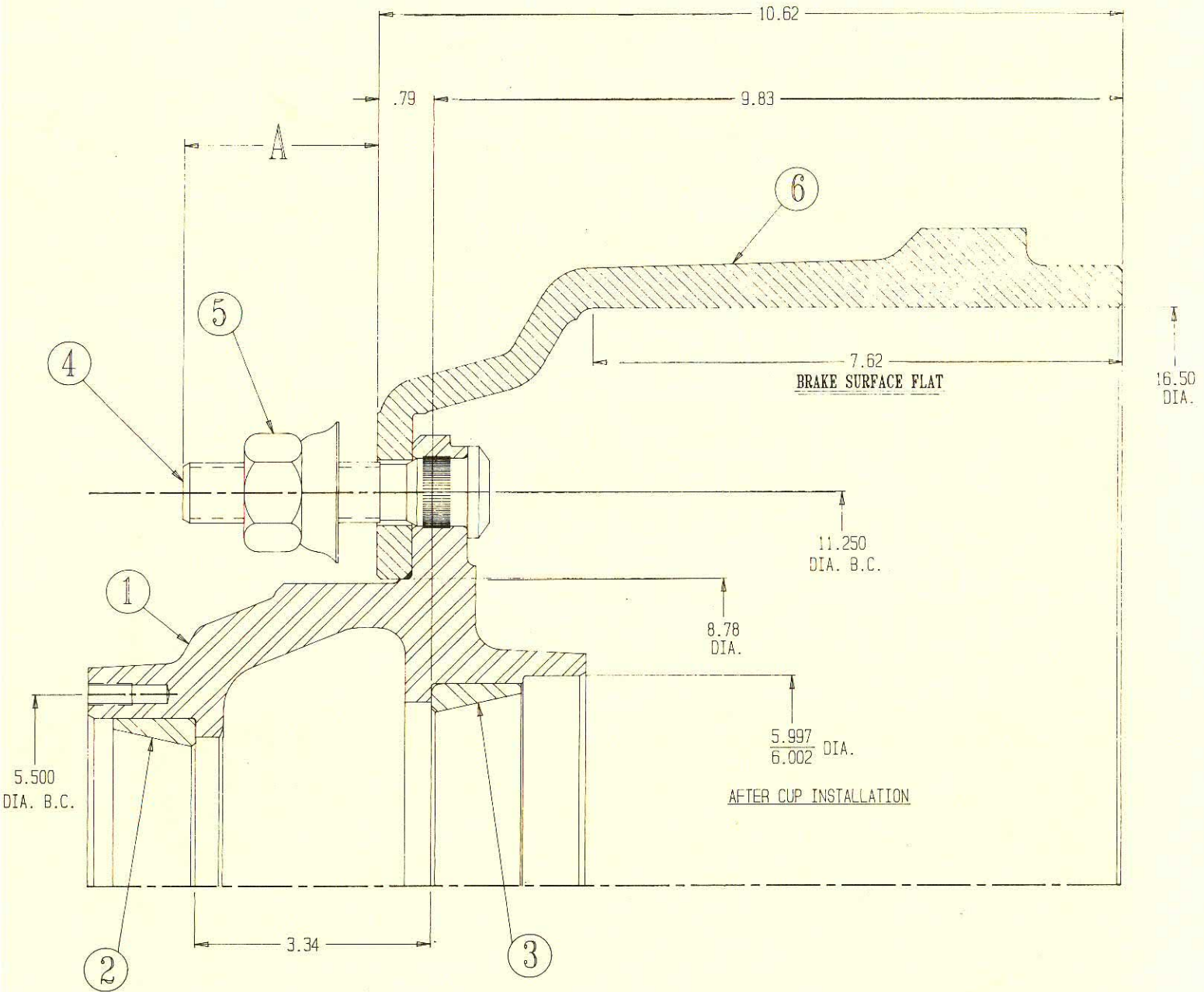
"A" Hub Part No.	Desc.	"B" Between Cups	"C" Cup To MTG Face	"D" Cup to End of Drum	"E" Brake Drum		"F" Brake Size		"H" Drum Over All Depth	"I" Pilot Dia.	"J" Bolt Circle	"K" Bolt Qty Dia	"L" Hub Cap Hole Pattern	Hub Cap Kit	Stud Stand Out
					Part No.	Order Code	Dia.	Width							
2023 Serrated Stud	10 Stud	3.34	.79	9.83	66884	UH	16.50	7.00	10.62	8.78	11.25	10	6HLS 0.31∅ 5.50∅ B.C.	73655	★
	11.25		.54	9.87	69996	QQ <sup>2</sup>	16.50	7.00	10.41	8.78	11.25				
	B.C. OB Drum		.79	11.60	66814	GV	16.50	8.62	12.39	8.78	11.25				

This Bulletin is Designed So That It Can Be Inserted Into Section 5 of Our Current Spoke Wheel and Hub Catalog TBTW384.

**NOTE: Due to the Recent Development of This Style Hub There is No Interchange Information Available.**

★ See Reverse Side for Sample Assembly Print Showing All Major Components and Stud Application Chart.

<sup>2</sup> Fused Brake Drum



**LIST OF COMPONENTS**

ITEM	PART NO.	DESCRIPTION	QTY.
1	2023	Hub - 10 Stud - Outboard	1
2	HM212011	Outer Bearing Cup	1
3	HM218210	Inner Bearing Cup	1
4	See Chart	Serrated Stud - 22 mm x 1.5 R.H. THD.	10
5	179955	Flange Nut - 22 mm x 1.5 R.H. THD.	10
6	66884B	Brake Drum - 16.5 x 7.0 Bal.	1

**STUD APPLICATION CHART**

WHEN ORDERING ASSEMBLIES SPECIFY STUD DESIRED BASED ON DISC WHEEL AND DRUM COMBINATION TO BE USED.

DISC WHEEL	DRUM TYPE	SPECIFY STUD	STUD STANDOUT
Single Steel	Cast	101164	2.21
	Fused	101164	2.46
Single Aluminum	Cast	101162	2.65
	Fused	101164	2.46
Dual Steel	Cast	101162	2.65
	Fused	101164	2.46
Dual Aluminum	Cast	101160	3.50
	Fused	101160	3.75
Dual - 1 Steel/1 Alum.	Cast	101160	3.50
	Fused	101162	2.90