

Another addition to the expanding line of Webb products.

NEW PRODUCT BULLETIN

“AVAILABLE NOW”

Disc Brake Rotors for Class 5 and 6 School Bus / Light Truck Applications

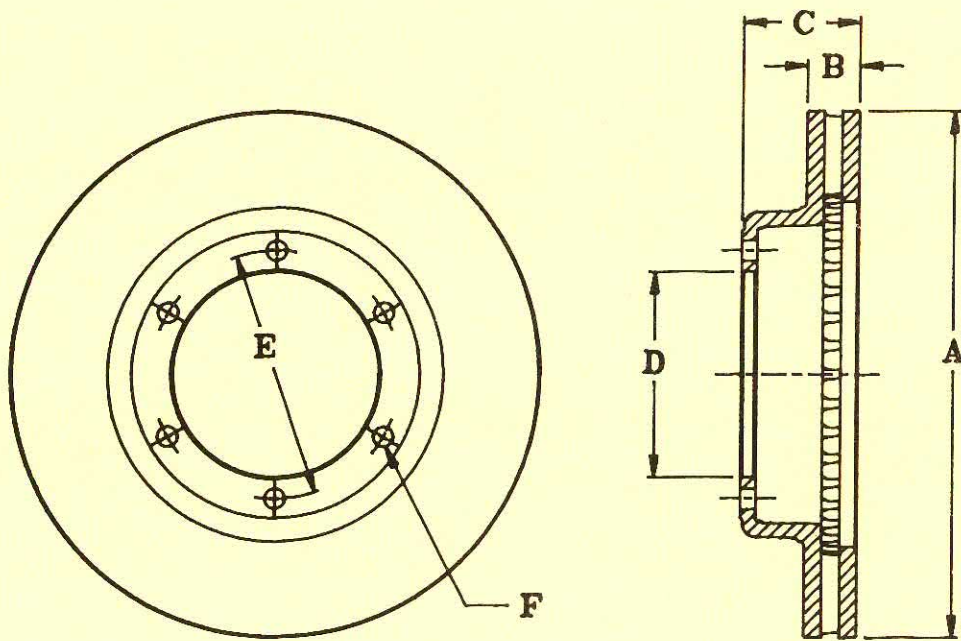
The following DISC BRAKE ROTORS have been added to our continually expanding product line. These rotors are available to our “Authorized WEBB Distributors” as aftermarket replacements for the interchanges listed.

WEBB ROTOR	WEIGHT	ROTOR TYPE	A	B	C	D	E	F	
			DISC DIAMETER	DISC THICKNESS	OVERAL DEPTH	PILOT DIAMETER	BOLT CIRCLE DIAMETER	BOLT HOLES	
								NUMBER	SIZE
54102	36	HAT	14.75	1.34	3.81	5.40	6.75	5	.66
54251	51	“U”	15.00	1.43	6.80	7.00	8.75	6	.81
54301	43	HAT	15.39	1.53	3.40	6.00	7.25	10	.59
54351	49	“U”	15.39	1.53	4.75	9.25	11.25	6	.78
54352	53	“U”	15.39	1.53	6.02	6.44	8.75	6	.84

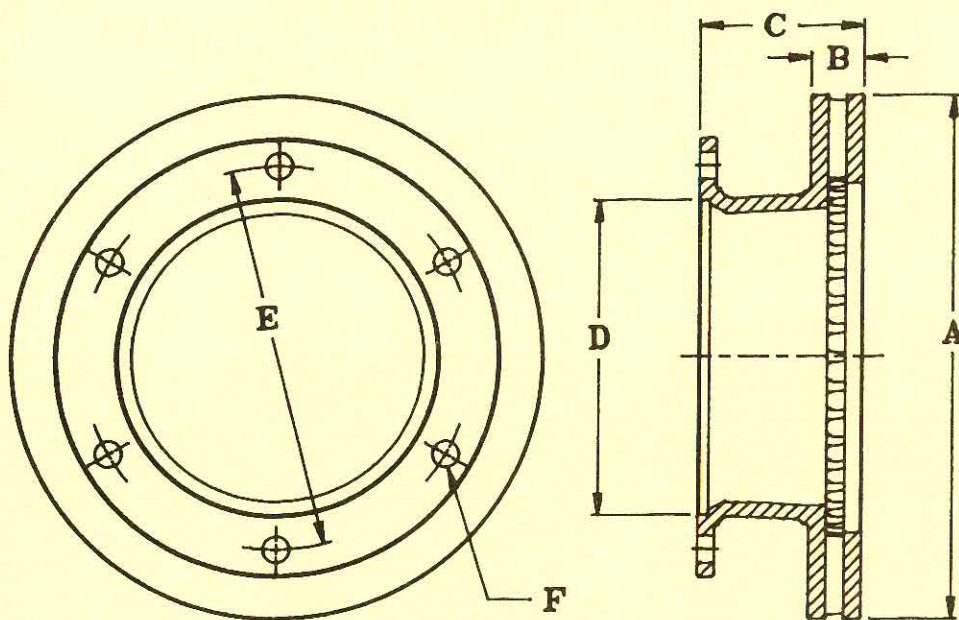
APPLICATION		INTERCHANGES		
WEBB ROTOR		Manufacturer	Manufacturer's Part Number	WEBB Part Number
54102	Chevrolet/GMC Front Axles	BENDIX	141270	54351
			141271	54102
			141272	54301
			141273	54251
			141276	54352
54251	Navistar Front and Rear Axles	DAYTON	122527	54251
			122687	54102
			122691	54351
			122729	54301
			122743	54352
54301	Chevrolet/GMC Front and Rear Axles	FORD	E3HZ-1102-A	54351
			E4HZ-1125-D	54352
54351	Ford Front Axles - 1983 and Newer	CHEVROLET/GMC	15514357	54301
			15514406	54301
			15515786	54102
54352	Ford Front Axles - 1984 and Newer	GUNITE	D6054	54102
			R6052	54301
		NAVISTAR	589843-C1	54251

— SEE REVERSE SIDE FOR DRAWINGS —

WEBB WHEEL PRODUCTS, INC.
2310 Industrial Drive, S.W.
Cullman, Alabama 35055
(205) 739-6660
FAX: 205-739-6246



HAT TYPE



"U" TYPE