

Date 01/07/03

Another addition to the expanding line of Webb products.

NEW PRODUCT BULLETIN

Part Number: **4530** "PLATINUM SERIES" ALUMINUM HUB

DESCRIPTION:

10 Stud Hub - 11.25" (285.75mm) Bolt Circle
 Uses Outboard Drum - (M22 x 1.5) Serrated Stud

AVAILABLE
NOW

WEBB AXLE GROUP 12

OUTER BEARING CUP 552A ←
 CONE 555S ← Cup Code 1
 INNER BEARING CUP 6420 ←
 CONE 6461A ←

APPLICATION INFORMATION
TRUCK STEERING AXLE

WEIGHT:

24 lbs. Hub Only
 34 lbs. Hub, Cups and Studs

Hub Dynamic Capacity: **11,000 lbs.**

Drawing Reference	Item	Dimension
B	Overall Length	7.04
C	Outer Hub Cap Face to Inner Cup Seat	4.84
D	Distance Between Cups	3.03
E	Inner Cup to Mounting Face	
	Drum with (0.25 Back Plate Thickness)	4.43
	Drum with (0.50 Back Plate Thickness)	4.68
	Drum with (0.62 Back Plate Thickness)	4.80
F	Bolt Circle Diameter	11.25" (285.75mm)
G	Wheel Stud Qty./Thread Diameter	(10) M22x1.5
H	Hub Cap Hole Pattern	6 Holes 0.31 Dia. 5.50 Dia. Bolt Circle

WEBB AXLE GROUP 12

ArvinMeritor.....FL-931, FL-941, FL-943, FL951, MFS-16, MFS-18, MFS-20
 Dana Spicer (Eaton)EFA-18F3, EFA20T2, EFA-22T2/T5, EFA-24T2/T5, I-160, I-180, I-200, I-220

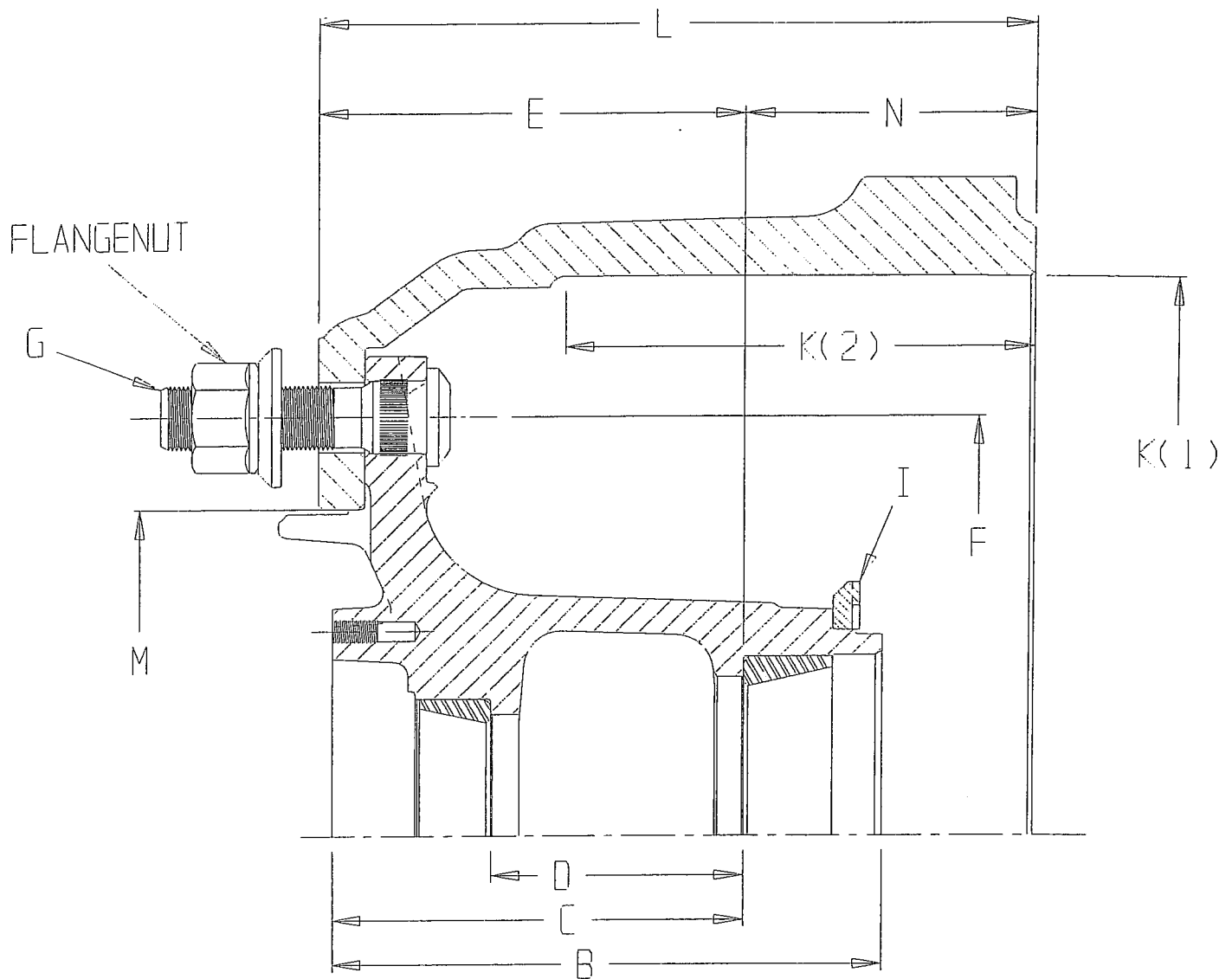
I. ABS RING

Part Number: 51049
 Pitch Diameter: 6.93
 Cup Seat to Face Dimension: 2.25

BRAKE DRUM INFORMATION

J		Estimated Drum Weight	Special Information	K		L	M	N
Order Code	Balanced			(1) Dia.	(2) Width	Drum Overall Depth	Drum Pilot Dia.	Cup to End of Drum
65155B	KJ	112	0.62 Back Plate Thickness	15.00	6.00	9.81	8.78	5.01
65654B	KN	99	0.62 Back Plate Thickness	16.50	5.00	9.22	8.78	4.42
65162B	KV	125	0.62 Back Plate Thickness	16.50	6.00	9.75	8.78	4.95
65170B	KP	123	0.62 Back Plate Thickness	16.50	6.00	9.88	8.78	5.08
66826B	RQ	116	0.50 Back Plate Thickness	16.50	7.00	10.19	8.78	5.51
60864B	ZQ	90	Platinum Series Drum 0.25 Back Plate Thickness	16.50	7.00	10.37	8.78	5.94
66864B	RK	112	0.50 Back Plate Thickness	16.50	7.00	10.62	8.78	5.94

WEBB WHEEL PRODUCTS, INC.
 2310 Industrial Drive, S.W.
 Cullman, Alabama 35055
 (256) 739-6660 FAX (256) 739-6246



ASSEMBLY DRAWING

List of Components			
Item	Part No.	Description	Qty.
1	4530	Hub, 10 Stud, Outboard	1
2	552A, 6420	Bearing Cups	1 ea
3	101161	Serrated Stud M22 x 4.32	10
4	179935	Flangenut M22 x 1.5	10
5	65155B	Brake Drum 15 x 6	1