



NEW PRODUCT BULLETIN # 342

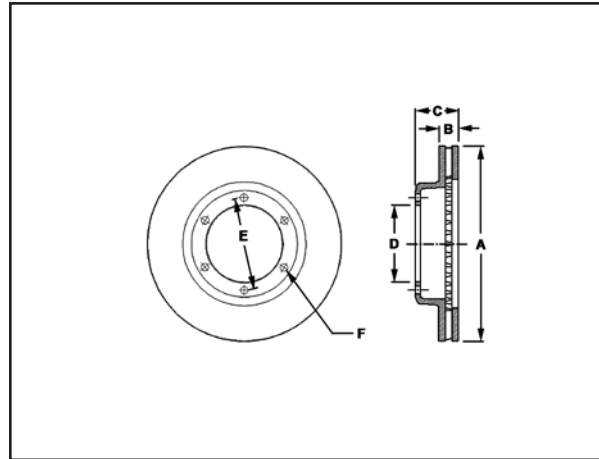
54775F-65

ROTOR PART NUMBER: 54775F-65

DESCRIPTION: Rotor with corrosion protective coating

SIZE: 15.38 x 1.535

ESTIMATED WEIGHT: 43 lbs.



Rotor Type **HAT**

WEBB ROTOR	WEIGHT	ROTOR TYPE	A	B	C	D	E	F	
			DISC DIAMETER	DISK THICKNESS	OVERALL DEPTH	PILOT DIAMETER	BOLT CIRCLE DIAMETER	BOLT HOLES	
								NUMBER	SIZE
54775F-65	43	HAT	15.38	1.535	3.40	6.00	7.25	10	.58