



# NEW PRODUCT BULLETIN # 343

# 2243

# HUB

**DESCRIPTION:** 10 Stud Hub w/11.25 (285.75MM) Dia. Bolt Circle  
Uses Outboard Drum - (M22 x 1.5) Serrated Stud

## TRAILER AXLE APPLICATIONS WEBB AXLE GROUP 4

ArvinMeritor (Rockwell): TP  
Dana Spicer (Eaton): 225P, 230P, P-22  
Fruehauf: PRO-PAR  
Hendrickson: HP  
Ingersoll: A24H, A24S, F24

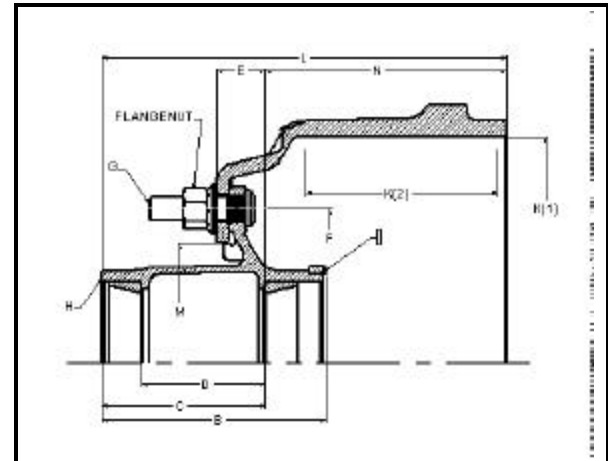
### Bearing Information (Webb Axle Group #4)

Outer Bearing Cup HM518410 ←  
Cone HM518445 ← Cup Code 1  
Inner Bearing Cup HM518410 ←  
Cone HM518445 ←

**Wt: 34 LBS**

**Specification Information** (Hub, Cups, Studs for Steel Disc Wheels)

Drawing Reference	Item	Dimension
B	Overall Length (with ABS Teeth)	8.15
C	Outer Hubcap Face to Inner Brg. Cup Seat	5.95
D	Distance Between Cups	4.50
E	Inner Cup to Mounting Face	1.79
F	Bolt Circle Diameter	11.25 (285.75MM)
G	Wheel Stud Qty./Thread Diameter	(10) M22 x 1.5
H	Hub Cap Hole Pattern	6 Studs 0.31 Dia.
	(Hub Cap Not Available From Webb Wheel)	6.75 Dia. Bolt Circle



### I. ABS

**Part Number:** 51554  
**Pitch Diameter:** 6.77  
**Cup Seat to Face Dimension:** 2.20

### Brake Drum Information

#### Drawing Reference

J			Special Information	K		L	M	N
Brake Drum				Brake Size (1) Dia.	Brake Size (2) Width	Drum Overall Depth	Drum Pilot Dia.	Cup to End of Drum
Part No.	Order Code	Est. Wt.						
66864B	RK	111 lbs.	0.50 Back Plate Thickness Heavy Duty Drum	16.50	7.00	10.62	8.78	8.83

### Wheel Fastener Information

#### CHECK DISC WHEEL THICKNESS BEFORE ORDERING

Disc Wheel	Tire App.	Total Disc Wheel Thickness	Drum Type	Stud (RH)	Color	Flange Nut	Stud Stand Out	Order Code For Flange Nuts	
								With	Less
Steel	Dual	.75 to 1.00	CAST	101164	Black	179935	2.53	4	3
Aluminum	Dual	1.68 to 2.00	CAST	101199	Black	179935	3.44	6	5

### SPECIAL NOTES

This Hub designed for dual wheel mounting or single wheels with 1/2" maximum offset.

#### OPTIONS AVAILABLE

ORDER CODE	DESCRIPTION	PART NO.
T	ABS Ring	51554

### Options Available:

22431--3T	Service Assembly - Steel Wheels
22431--5T	Service Assembly - Aluminum Wheels
22431RK4T	Hub & Drum Assembly - Steel Wheels with Nuts
22431RK6T	Hub & Drum Assembly - Aluminum Wheels with Nuts