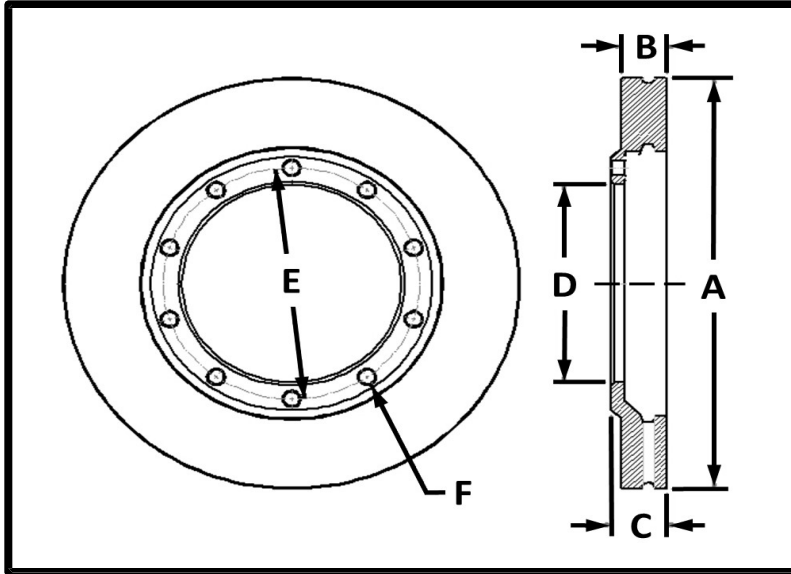




# NEW PRODUCT BULLETIN # 390

**56089PK**



**PART NUMBER:**  
56089PK

**DESCRIPTION:**  
Disc Brake Rotor

**SIZE:**  
16.93 x 1.77

**ESTIMATED WEIGHT:**  
67 lbs.

*Available Now*

Part Number	Weight	Type	A	B	C	D	E	F	
			Disc Diameter	Disc Thickness	Overall Depth	Pilot Diameter	Bolt Circle Diameter	Bolt Holes	
								Number	Size
56089PK	67	Flat	16.93	1.77	2.26	7.08	8.07	10	.59

(P) indicates packaged rotor. Webb rotors are packaged for protection.  
(K) indicates rotor is supplied with new hardware

## INTERCHANGE INFORMATION

Manufacturer	SAF
Manufacturer Part Numbers	2019200000010 51830036

INTERCHANGE INFORMATION SHOWN ABOVE IS BASED ON INFORMATION AVAILABLE AT TIME OF PUBLICATION PORTIONS OF WHICH WERE OBTAINED FROM UNCONFIRMED SOURCES. THEREFORE, ACCURACY OF INTERCHANGE INFORMATION CANNOT BE ASSURED.