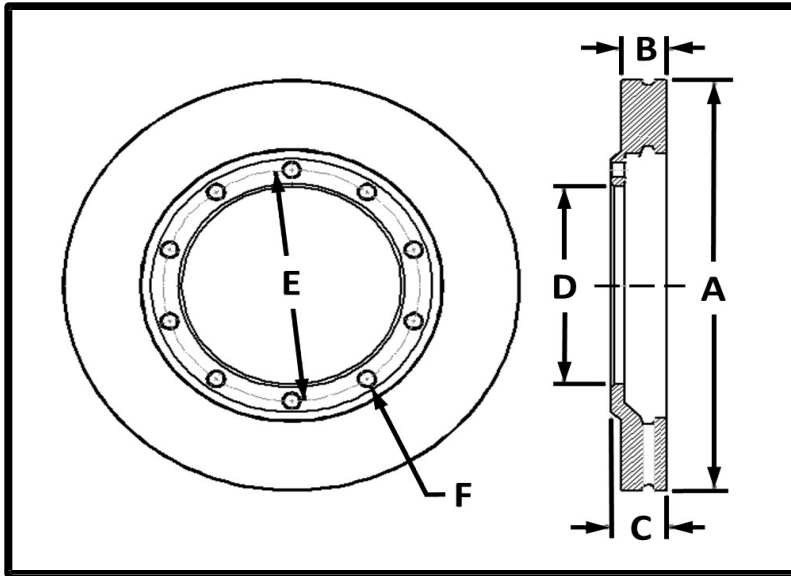




NEW PRODUCT BULLETIN # 400

55072PK



PART NUMBER:
55072PK

DESCRIPTION:
Drive Axle
Disc Brake Rotor

SIZE:
17.08 x 1.77

ESTIMATED WEIGHT:
70 lbs.

Available Now

Part Number	Weight	Type	A	B	C	D	E	F	
			Disc Diameter	Disc Thickness	Overall Depth	Pilot Diameter	Bolt Circle Diameter	Bolt Holes	
								Number	Size
55072PK	70	Flat	17.08	1.77	2.09	6.56	7.86	10	.66

(P) indicates packaged rotor. Webb rotors are packaged for protection.
(K) indicates rotor is supplied with new hardware

INTERCHANGE INFORMATION

Manufacturer	Conmet	Durabrake
Manufacturer Part Numbers	10041218	76624

INTERCHANGE INFORMATION SHOWN ABOVE IS BASED ON INFORMATION AVAILABLE AT TIME OF PUBLICATION PORTIONS OF WHICH WERE OBTAINED FROM UNCONFIRMED SOURCES. THEREFORE, ACCURACY OF INTERCHANGE INFORMATION CANNOT BE ASSURED.