



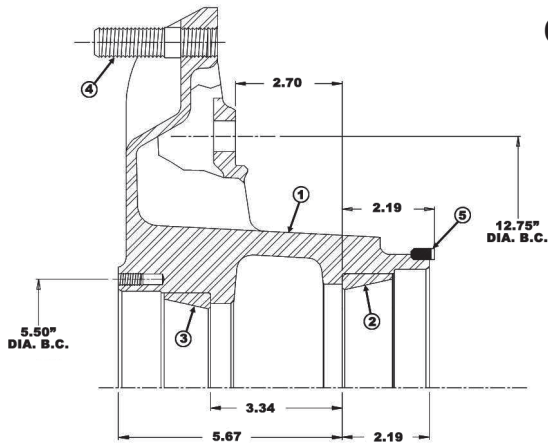
SERVICE BULLETIN #102

03/18/2010

9760 Spoke Wheel

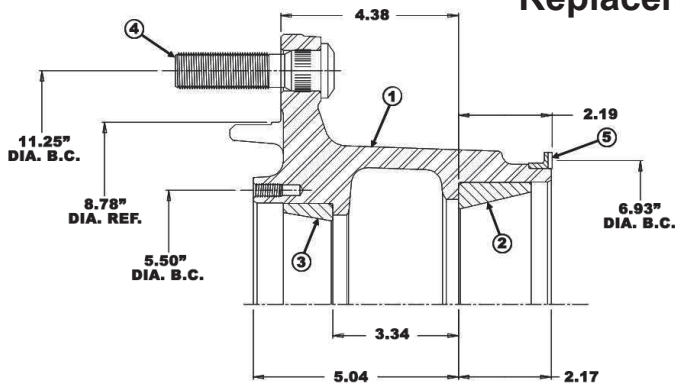
Upon depletion of inventory, the 9760 spoke will become obsolete with no direct replacement. We do however recommend a replacement: the 10-stud 2540 hub. This requires changing brake drums, changing to a disc hub, and changing to disc wheels instead of demountable rims. If you have any questions, please contact Webb Technical Services via email to engineering@webbwheel.com or call 256-775-7514.

Obsolete Part



9760 Bill of Material			
Item	Part No.	Description	Qty
1	9760T	6 Spoke 20" Wheel	1
2	HM218210	Inner Bearing Cup	1
3	HM212011	Outer Bearing Cup	1
4	171028	Rim Stud	6
5	51048	ABS Ring	1

Replacement Option



2540 Bill of Material			
Item	Part No.	Description	Qty
1	2540T	10 Stud, 11.25" B.C. Hub	1
2	HM218210	Inner Bearing Cup	1
3	HM212011	Outer Bearing Cup	1
4a	101164	Wheel Stud-Steel Wheel	10
4b	101162	Wheel Stud-Aluminum Wheel	10
5	51048	ABS Ring	1

2540 Replacement Assemblies		
Hub Service Assembly	Wheel Type	ABS
25401--1	Steel Wheels	Non-ABS
25401--1T		ABS
25401--3	Aluminum Wheels	Non-ABS
25401--3T		ABS

Replacement Drum Numbers	Size
65654B	16.50 X 5.00"
65162B	16.50 X 6.00"