



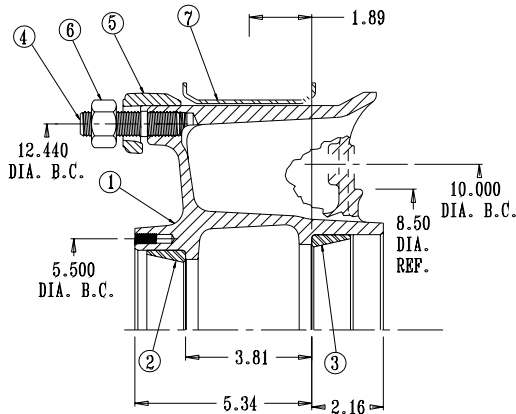
SERVICE BULLETIN #105

02/24/11

8315 Trailer Spoke Wheel

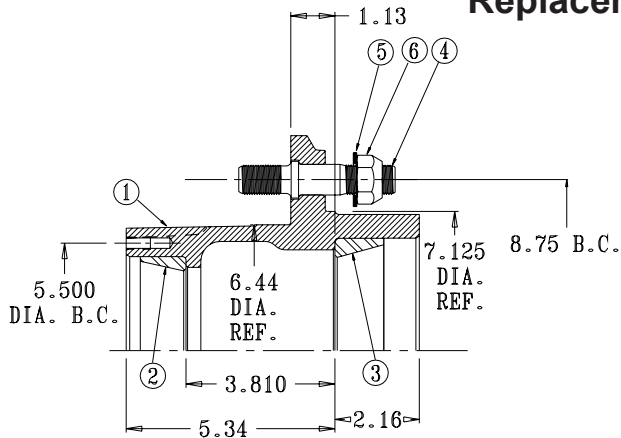
Upon depletion of inventory, the 8315 trailer spoke will become obsolete with no direct replacement. We do however recommend a replacement: the 10-stud 1251 hub. This requires changing brake drums, changing to a disc hub, and changing to disc wheels instead of demountable rims. If you have any questions, please contact Webb Technical Services via email to engineering@webbwheel.com or call 256-775-7514.

Obsolete Part



8315 Bill of Material			
Item	Part No.	Description	Qty
1	8315F	3 Spoke 15" Wheel	1
2	HM212011	Outer Bearing Cup	1
3	653	Inner Bearing Cup	1
4	171027	Rim Stud	6
5	3314	Rim Clamp	3
6	74710	Hex Nut	6
7	41540	Rim Spacer	1

Replacement Option



1251 Bill of Material			
Item	Part No.	Description	Qty
1	1251F	10 Stud 8.75 Inboard Trailer Hub	1
2	HM212011	Outer Bearing Cup	1
3	653	Inner Bearing Cup	1
4A	139913	Shoulder Stud 3/4 16 L.H.	10
4B	139902	Stoulder Stud 3/4 16 R.H.	10
5	257	Flat Washer	10
6	75716	3/4-16 Locknut	10

REPLACEMENT ASSEMBLIES		
Hub Service Assembly	Wheel Type	ABS
12513--ML	BSN Steel or Aluminum	Non-ABS
12513--MR		Non-ABS

Replacement Drum Numbers	Size
63630F	12.25 X 5.50"
63631F	12.25 X 7.50"