



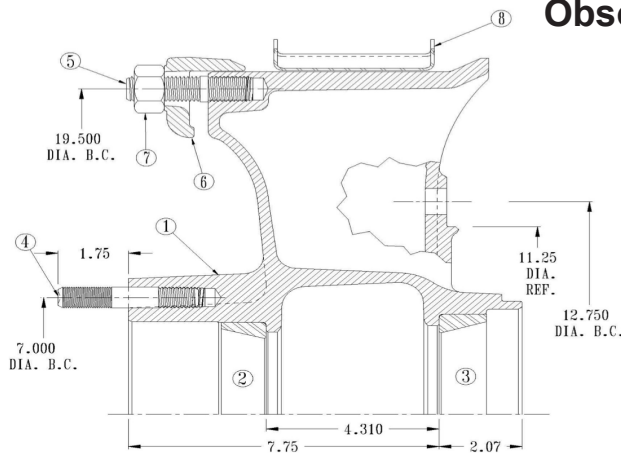
SERVICE BULLETIN #124

04/14/14

3562 Spoke Wheel

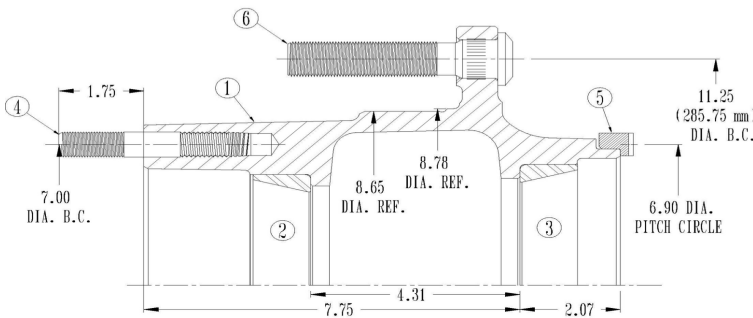
Upon depletion of inventory, the 3562 spoke will become obsolete with no direct replacement. We do however recommend a replacement: the 10-stud 2643 hub. This requires changing brake drums, changing to a disc hub, and changing to disc wheels instead of demountable rims. If you have any questions, please contact the Webb Engineering department via email to engineering@webbwheel.com or call 256-736-6356.

Obsolete Part



3562 Bill of Material			
Item	Part No.	Description	Qty
1	3562T	6 Spoke 22" Wheel	1
2	572	Outer Bearing Cup	1
3	592A	Inner Bearing Cup	1
4	161832	5/8 Drive Stud	8
5	171027	Rim Stud	6
6	16129	Rim Clamp	6
7	74710	Hex Nut	6
8	42240	Rim Spacer	1

Replacement Option



2643 Bill of Material			
Item	Part No.	Description	Qty
1	2643T	10 Stud 11.25" Outboard Drive Hub	1
2	572	Outer Bearing Cup	1
3	592A	Inner Bearing Cup	1
4	161832	5/8-18 Drive Stud	8
5	51294	ABS Ring	1
6	Varies	Serrated Stud (M22x1.5 or 3/4-16)	10

REPLACEMENT ASSEMBLIES		
Hub Service Assembly	Wheel Type	ABS
26431--MLT	BSN Steel or Aluminum	ABS
26431--MRT		ABS
26431--OT	No Studs	ABS
26431--3T	FN-Steel	ABS
26431--5T	FN-Aluminum	ABS

Replacement Drum Numbers	Size
61577B	15.00" x 7"
66864B	16.50" x 7"
66884B	16.50" x 7"
66665B	18.00" x 7"