



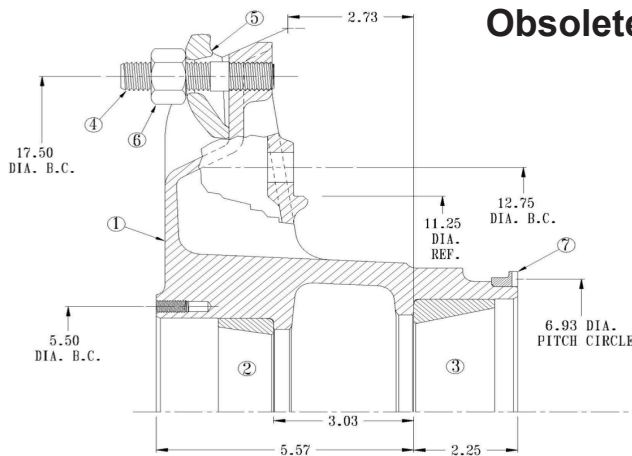
SERVICE BULLETIN #125

04/14/14

9660 Spoke Wheel

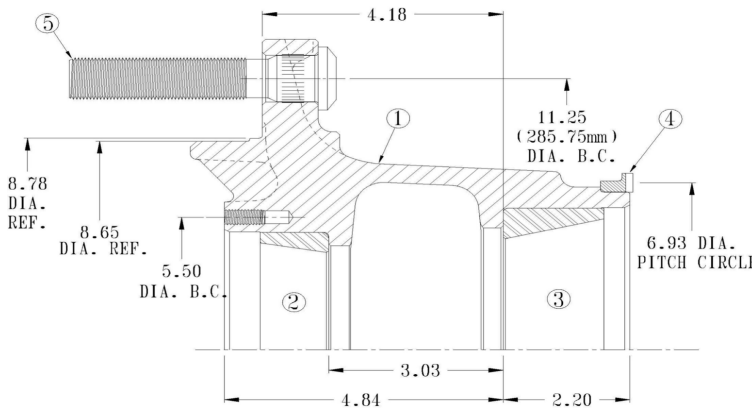
Upon depletion of inventory, the 9660 spoke will become obsolete with no direct replacement. We do however recommend a replacement: the 10-stud 2530 hub. This requires changing brake drums, changing to a disc hub, and changing to disc wheels instead of demountable rims. If you have any questions, please contact the Webb Engineering department via email to engineering@webbwheel.com or call 256-736-6356.

Obsolete Part



| 9660 Bill of Material | | | |
|-----------------------|----------|-----------------------|-----|
| Item | Part No. | Description | Qty |
| 1 | 9660T | 6 Spoke 20" ABS Wheel | 1 |
| 2 | 552A | Outer Bearing Cup | 1 |
| 3 | 6420 | Inner Bearing Cup | 1 |
| 4 | 171028 | Rim Stud | 6 |
| 5 | 16177 | Rim Clamp | 6 |
| 6 | 74710 | Hex Nut | 6 |
| 7 | 51048 | ABS Ring | 1 |

Replacement Option



| 2530 Bill of Material | | | |
|-----------------------|----------|-----------------------------------|-----|
| Item | Part No. | Description | Qty |
| 1 | 2530T | 10 Stud 11.25" Outboard Drive Hub | 1 |
| 2 | 552A | Outer Bearing Cup | 1 |
| 3 | 6420 | Inner Bearing Cup | 1 |
| 4 | 51048 | ABS Ring | 1 |
| 5 | Varies | Serrated Stud (M22x1.5 or 3/4-16) | 10 |

| REPLACEMENT ASSEMBLIES | | |
|------------------------|-------------|-----|
| Hub Service Assembly | Wheel Type | ABS |
| 25301--PLT | BSN Steel | ABS |
| 25301--PRT | | ABS |
| 25301--OT | No Studs | ABS |
| 25301--1T | FN-Steel | ABS |
| 25301--3T | FN-Aluminum | ABS |

| Replacement Drum Numbers | Size |
|--------------------------|-------------|
| 65654B | 16.50" x 5" |
| 65162B | 16.50" x 6" |