



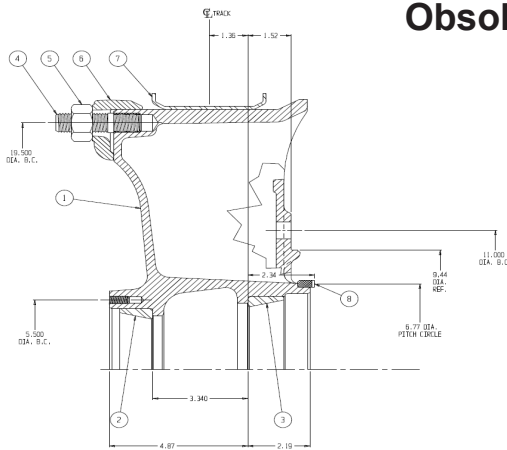
SERVICE BULLETIN #131

3/16/15

7622 Trailer Spoke Wheel

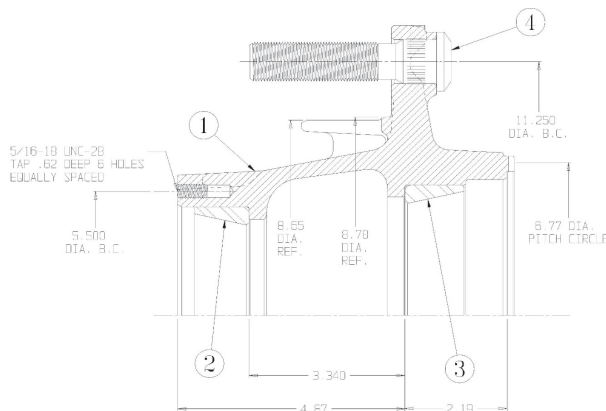
Upon depletion of inventory, the 7622 trailer spoke will become obsolete with no direct replacement. We do however recommend a replacement: the 10-stud 2023 hub. This requires changing brake drums, changing to a disc hub, and changing to disc wheels instead of demountable rims. If you have any questions, please contact Webb Technical Services via email to engineering@webbwheel.com or call (256)739-6660.

Obsolete Part



7622 Bill of Material			
Item	Part No.	Description	Qty
1	7622T	6 Spoke 22" Wheel	1
2	HM212011	Outer Bearing Cup	1
3	HM218210	Inner Bearing Cup	1
4	171028	Wheel Stud	6
5	16123	Rim Clamp	6
6	74710	Hex Nut	6
7	42040	Rim Spacer	1
8	51554	Tone Ring	1

Replacement Option



2023 Bill of Material			
Item	Part No.	Description	Qty
1	2023A	10 Stud 11.25" Outboard Hub	1
2	HM212011	Outer Bearing Cup	1
3	HM218210	Inner Bearing Cup	1
4	Varies	Serrated Stud (M22x1.5 or 3/4-16)	10

REPLACEMENT ASSEMBLIES		
Hub Service Assembly	Wheel Type	ABS
20231--MLT	BSN Steel or Aluminum	DMABS
20231--MRT		DMABS
20231--OT	No Studs	DMABS
20231--3T	FN-Steel	DMABS
20231--5T	FN-Aluminum	DMABS

Replacement Drum Numbers	Brake Size
61577B	15.00" x 7.00"
61988B	15.00" x 8.62"
66864B	16.50" x 7.00"
66800B	16.50" x 8.00"
66855B	16.50" x 7.00"