

**WEBB WHEEL PRODUCTS, INC.**

2310 Industrial Drive, S.W.

Cullman, Alabama 35055

(205) 739-6660

FAX: (205) 739-6246

December 18, 1989

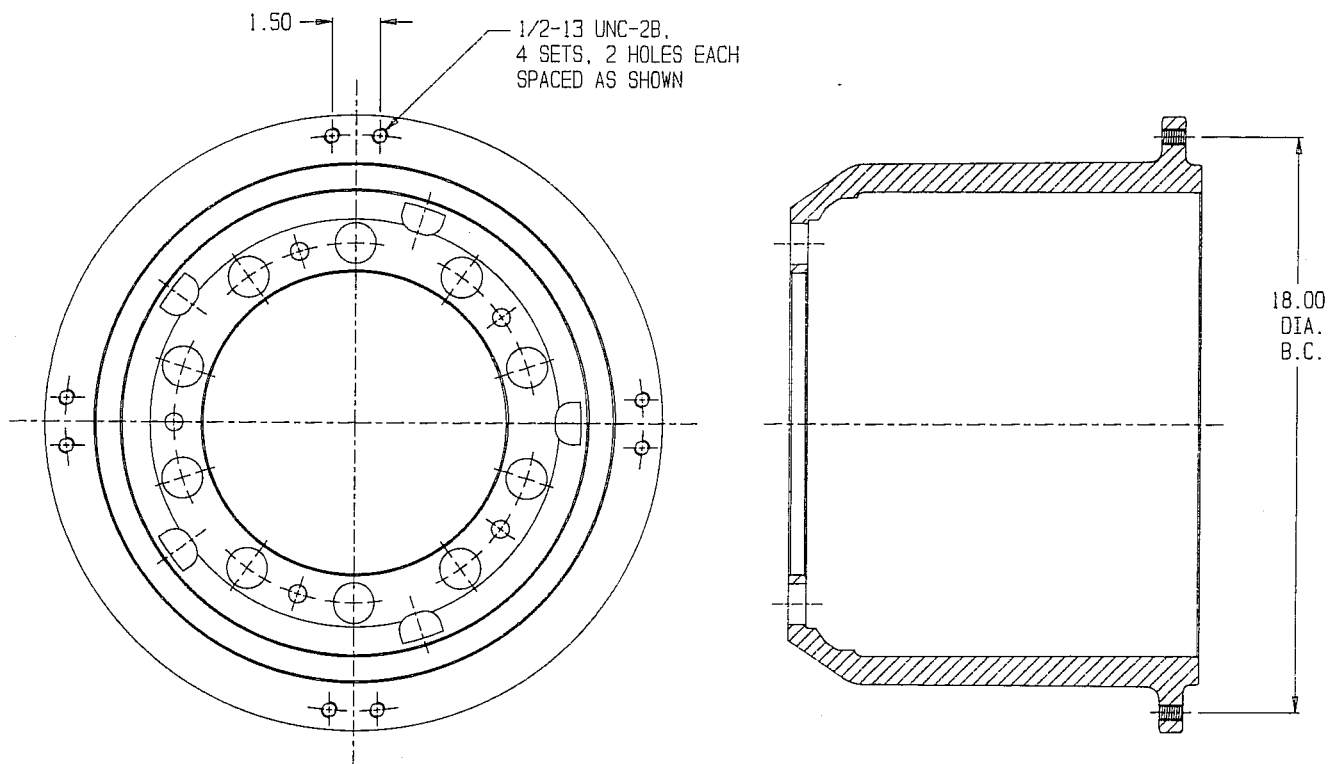
## **SERVICE BULLETIN (No. 16) (NOTICE OF PRODUCT CHANGE)**

### **NOISE DAMPENER HOLES**

Due to the low usage of the noise dampener holes in brake drums, we will no longer furnish brake drums with the noise dampener holes drilled as standard. The noise dampener holes will now be offered as an option, which can be obtained by placing the letter "A" as a suffix to the part number of the brake drum being ordered.

The part numbers affected by this change are 64015 and 64115.

The noise dampener holes in these part number were located as shown below.



This product change will become effective immediately.