

WEBB WHEEL PRODUCTS, INC.

2310 Industrial Drive, S.W.
Cullman, Alabama 35055
(205) 739-6660
FAX: (205) 739-6246

January 26, 1990

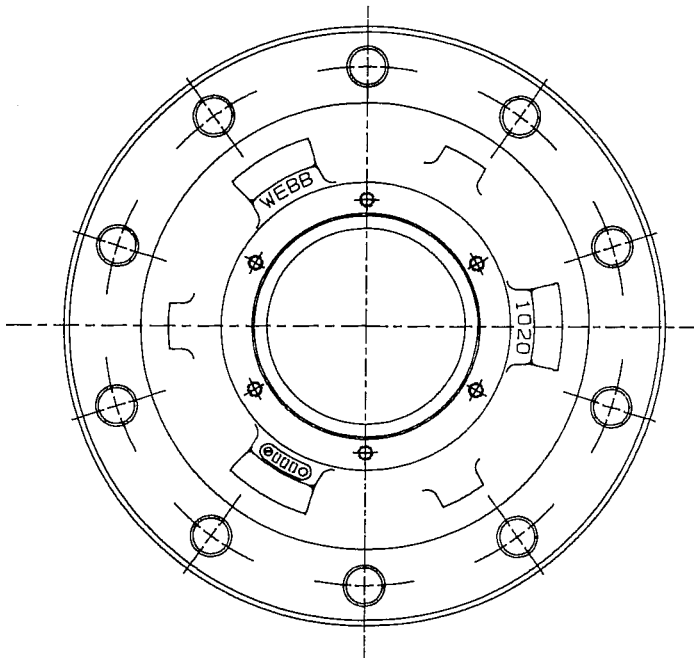
SERVICE BULLETIN (No. 17) **(NOTICE OF PRODUCT CHANGE)**

HUB DESIGN

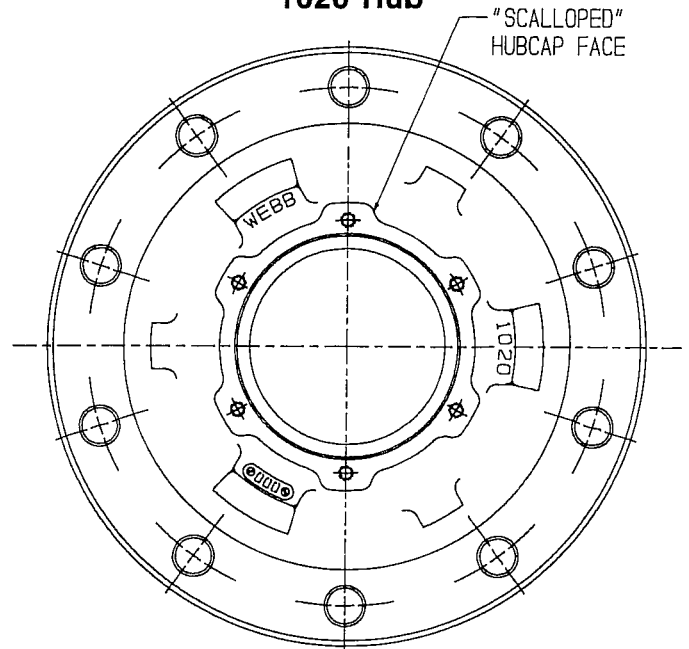
Although the current designs of our cast steel hubs have for years been considered an industry standard by many trailer manufacturers, we have implemented a design change which allows us to improve our foundry casting procedures.

This change, while not affecting the well known advantages of our hubs, has caused a cosmetic change to the hub cap end of the hub only, as detailed below.

**Old Design
1020 Hub**



**New Design
1020 Hub**



While the visual identity may change slightly, you will continue to receive the same high quality and superior performance from our product.

The new hub designs will be phased into production on an ongoing basis as form, fit, and function does not change.

CURRENT HUBS AFFECTED

1001

1002

1020



A member of The Marmon Group of companies