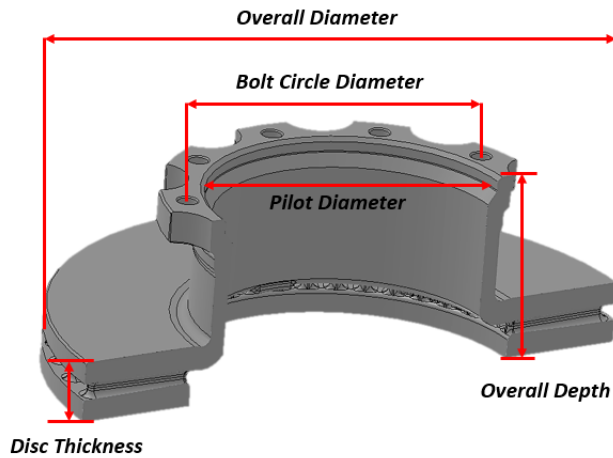
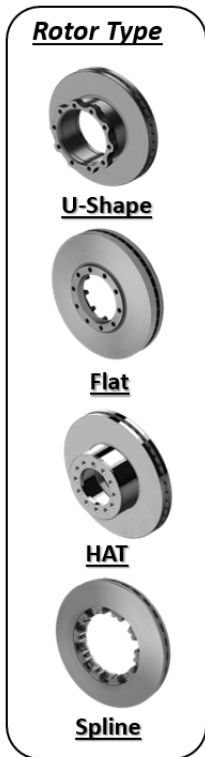




Brake Rotor Identification

The purpose of this bulletin is to help customers locate the dimensions needed to correctly identify a replacement brake rotor. When specifying replacement brake rotors, verify the part number being removed from the axle and ensure the correct part number interchange is used for the replacement rotor. Typically, the manufacturer name and part number are cast into the rotor. In the event this information is not available, accurately measure the dimensions below to correctly identify a replacement part. For additional information, please contact the Webb Engineering department via email to engineering@webbwheel.com or call 800-633-3256.

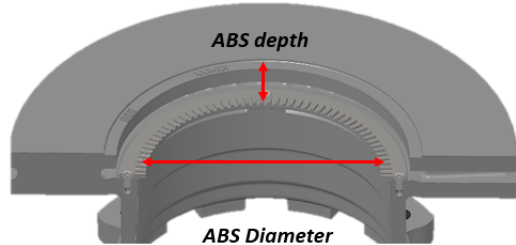


Measured Dimensions

- Overall diameter: _____
- Bolt Circle: _____
- Pilot diameter: _____
- Overall depth: _____
- Disc Thickness: _____
- Rotor type: _____
- Bolt hole qty.: _____
- Bolt hole size: _____

ABS Dimensions

- ABS depth: _____
- ABS diameter: _____
- ABS tooth count: _____



Scan for training resources

* Additional information may be required for some applications