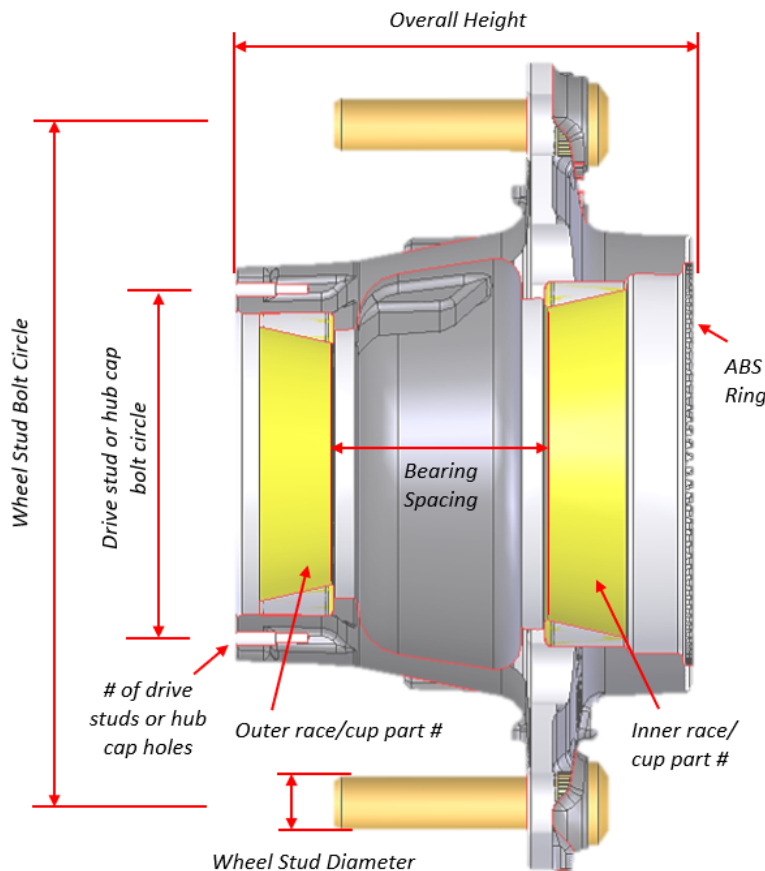




# Wheel Hub Identification

The purpose of this bulletin is to help customers locate the dimensions needed to correctly identify a replacement wheel hub. First, try to identify the part number of the hub being replaced, which is typically cast or stamped onto the hub. In the event this information is not available, accurately measure the dimensions below to correctly identify a replacement hub. For additional information, please contact the Webb Engineering department via email to [engineering@webbwheel.com](mailto:engineering@webbwheel.com) or call 800-633-3256.

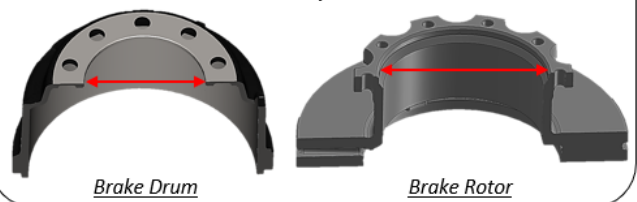


### Measured Dimensions

Axle position (circle one): Steer, Drive, Trailer

- Overall height: \_\_\_\_\_
- Inner race/cup part #: \_\_\_\_\_
- Outer race/cup part #: \_\_\_\_\_
- Bearing spacing: \_\_\_\_\_
- Wheel stud bolt circle: \_\_\_\_\_
- # of wheel studs: \_\_\_\_\_
- Wheel stud diameter: \_\_\_\_\_
- Steel or aluminum wheels: \_\_\_\_\_
- ABS ring (yes or no): \_\_\_\_\_
- ABS tooth count: \_\_\_\_\_
- Does the hub use a drum or rotor: \_\_\_\_\_
- Drum or rotor pilot diameter (Example below): \_\_\_\_\_
- Drive stud diameter (Drive hubs only) : \_\_\_\_\_
- Drive stud or hub cap bolt circle: \_\_\_\_\_
- # of drive studs or hub cap holes: \_\_\_\_\_
- Screw-on or bolt-on hub cap (Trailer hubs only): \_\_\_\_\_

Use a micrometer or tape measure to accurately measure the drum or rotor pilot diameter.



\*Additional information may be required for some applications