

WEBB WHEEL PRODUCTS, INC.

2310 Industrial Drive, S.W.

Cullman, Alabama 35055

(205) 739-6660

FAX: (205) 739-6246

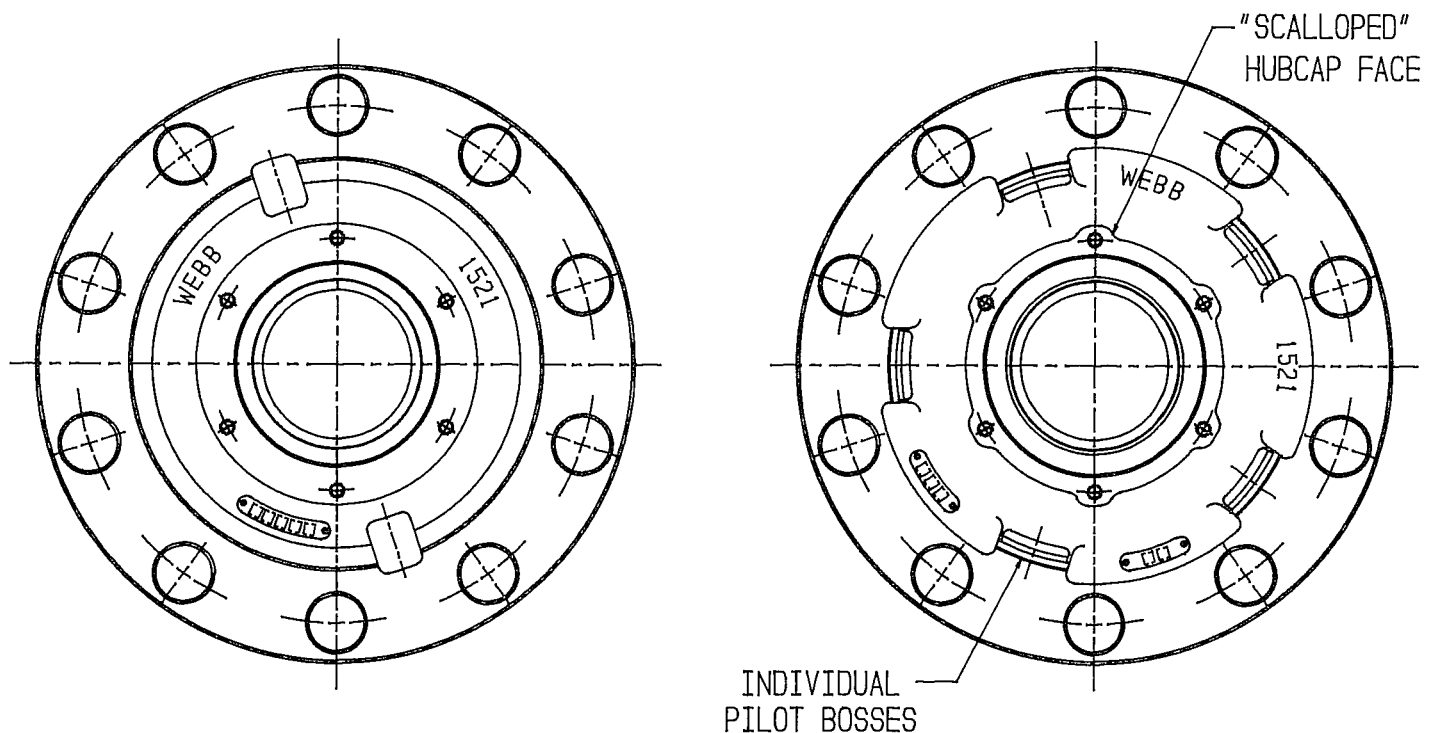
August 8, 1990

SERVICE BULLETIN (No. 18) **(NOTICE OF PRODUCT CHANGE)**

HUB DESIGN CHANGE

Our 1521 Steering Axle Hub, currently manufactured from a steel casting, has been superseded by a new lighter weight hub manufactured from ductile iron. This change will result in a weight savings of 4.5 lbs. per hub.

A change in appearance, as detailed below, will exist with the new hub.



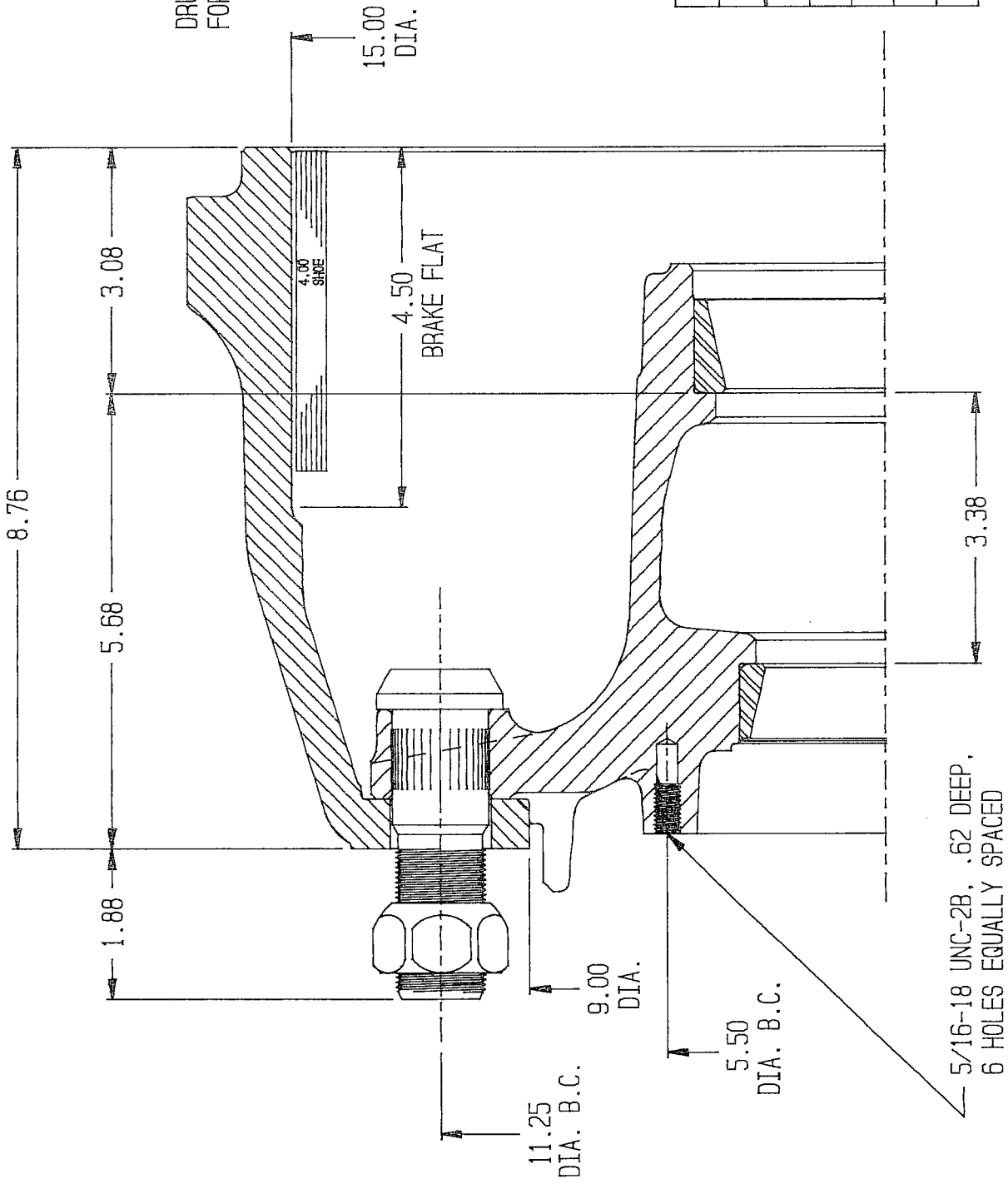
As application and use will not be affected with this change, our part number 1521 will continue to be used in identifying this steering axle product.

The new hub is being phased into production on an ongoing basis.

While the material and visual identity of this hub has changed, you will continue to receive the same high quality and superior performance from our product.

— SEE REVERSE SIDE FOR ASSEMBLY PRINT —

DRUM SHOWN IS 65541B.
 FOR OPTIONAL DRUMS, SEE CHART



| OPTIONAL BRAKE DRUMS | |
|----------------------|--------------------|
| DRUM NUMBER | BRAKE SIZE |
| 65541B | 15 X 4 |
| 65551B | 15 X 5 |
| 65651B | 16.5 X 5 |
| 65167B | 16.5 X 6 |
| 65169B | 16.5 X 5 (NOTCHED) |